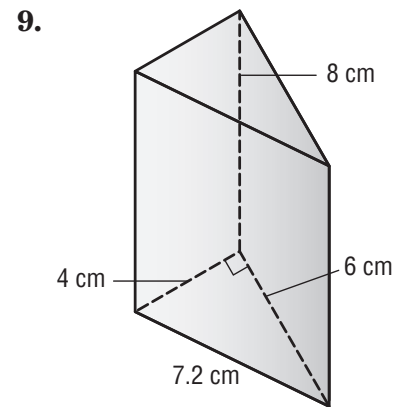
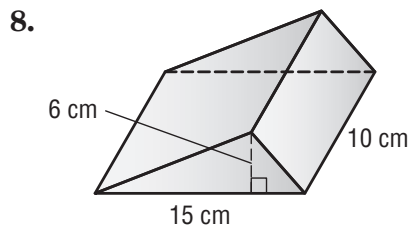
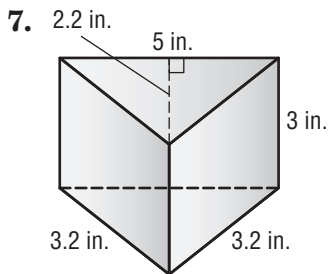
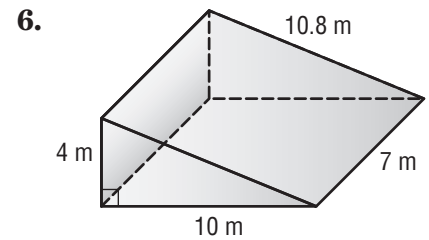
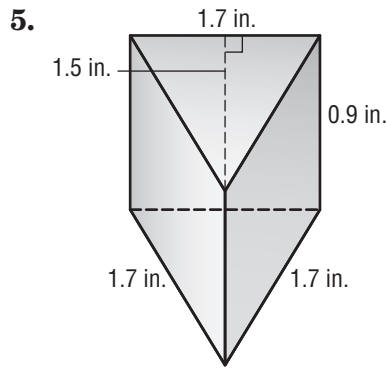
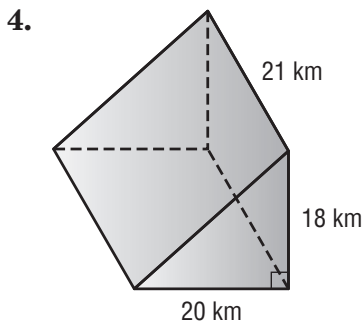
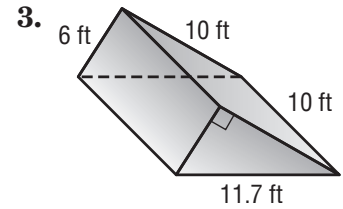
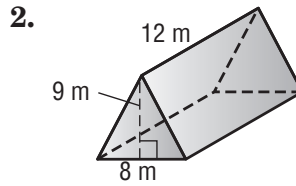
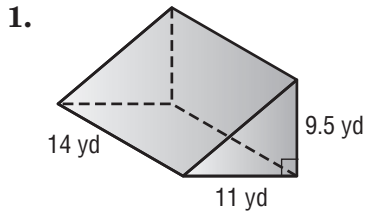


Lesson 2 Homework Practice

Volume of Triangular Prisms

Find the volume of each prism. Round to the nearest tenth if necessary.



10. **WEDGE** The base of a triangular door wedge has an area of 55 square centimeters. The height of the wedge is 5 centimeters. Find the volume of the door wedge.

11. **GAME** A wooden peg game in the shape of a triangular prism is 2 inches tall. The triangle has a base of 12 inches and a height of 9 inches. Find the volume of the game.